



SPIRAL

Semibox System



Set of profiles for
Spiral Box



Code	Colour	L/m
8013-1167	White	4,00
8013-967	White	5,00
8013-968	White	5,80
8013-969	White	6,00
8013-970	White	7,00
8013-971	Black	5,00
8013-1151	Black	5,80
8013-972	Black	7,00
8013-973	Silver	5,00
8013-1152	Silver	5,80
8013-974	Silver	7,00
8013-975	Bronze	5,00
8013-1153	Bronze	5,80
8013-976	Bronze	7,00
8013-977	Grey 7011	5,00
8013-1154	Grey 7011	5,80
8013-978	Grey 7011	7,00
8013-979	Brown 8014	5,00
8013-1155	Brown 8014	5,80
8013-980	Brown 8014	7,00
8013-1156	Beige 1013	5,00
8013-1146	Beige 1013	5,80
8013-1147	Beige 1013	7,00
8013-981	Ral	5,00
8013-1157	Ral	5,80
8013-982	Ral	7,00



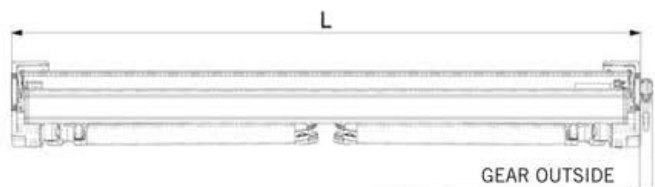
Set of caps for
Spiral Box



Código	Color
8013-951	White
8013-952	Black
8013-953	Silver
8013-954	Bronze
8013-955	Grey 7011
8013-956	Brown 8014
8013-1109	Beige 1013
8013-957	Ral

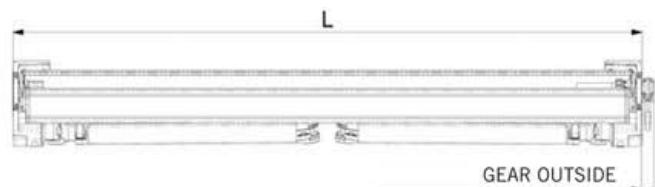
SPIRAL BOX CUTTING DISCOUNTS FOR PREMIUM A1 - SMART

Tube	Gear	Placing	Discount	
			Box	Tube
Ø 70 mm	Gear	Outside	L - 6,0 cm	L - 8,6 cm
	Gear	Inside	L - 9,5 cm	L - 12,1 cm
	Gaviota Simbac 50 Series Motor	-	L - 6,0 cm	L - 10,3 cm
	Somfy 50 Series Motor	-	L - 6,0 cm	L - 10,3 cm



SPIRAL BOX CUTTING DISCOUNTS FOR PREMIUM M1/M2

Tube	Gear - Motor	Placing	Discount	
			Box	Tube
Ø 70 mm	Gear	Outside	L - 7,1 cm	L - 10 cm
	Gear	Inside	L - 10,6 cm	L - 13,5 cm
	Gaviota Simbac 50 Series Motor	-	L - 7,1 cm	L - 11,6 cm
	Somfy 50 Series Motor	-	L - 7,1 cm	L - 11,6 cm



SPIRAL

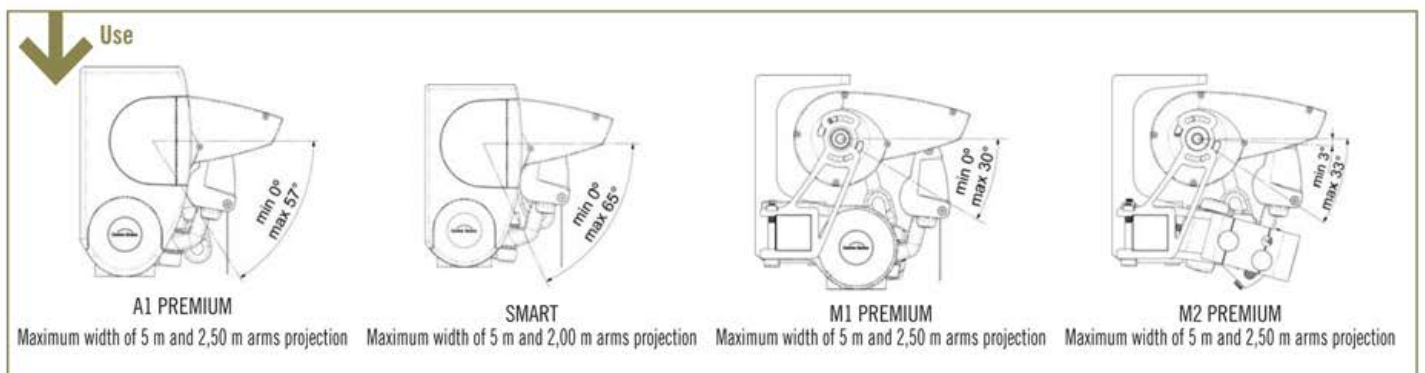
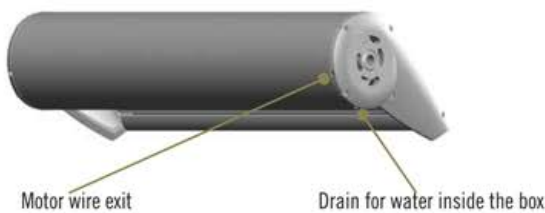
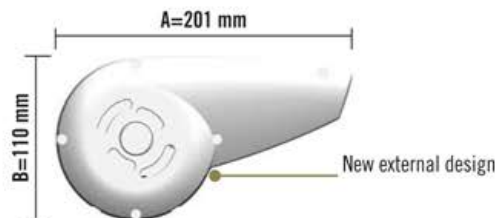
Semibox System

Assembly option with SMART, Premium A1 and Monobloc Premium M1/M2 Systems.

Maximum protection of the fabric due to smaller width of the caps and the reduced edge of the lower profile, that avoids friction with the textile. Acrylic fabric capacity: 2,75 m with Ø70 mm tube.

The upper profile can be assembled or taken out frontally after the awning has been installed (for regulating the motor end stroke).

Drain at the upper profile for evacuating the water only by the sides.





CROCI AUSTRALIA

88-90 Derby Street, Pascoe Vale, 3044
Tel: (03) 9354 4777 Fax: (03) 93541944

sales@croci.com.au
www.croci.com.au

For more information:

