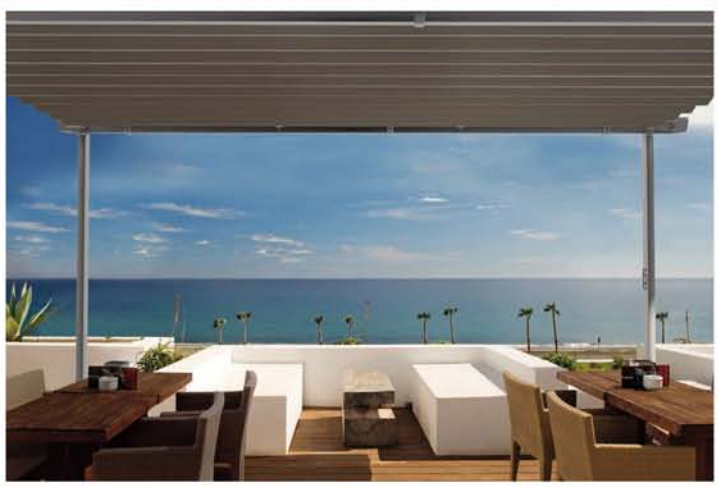




ZEN Patio System



Cover your outdoor area with the Zen Patio System



The ZEN Patio Retractable Roof System gives you the option to stay outside and enjoy the sun, or be protected from it.

Our system can be easily adapted to a range of designs and buildings and can be installed on existing timber, aluminium structures or even be built as its own free standing frame to give protection immediately.

Transform your outdoor to indoor, thanks to the innovative design and the high level of weather resistance.

- UV & heat protection creates a pleasant outdoor environment

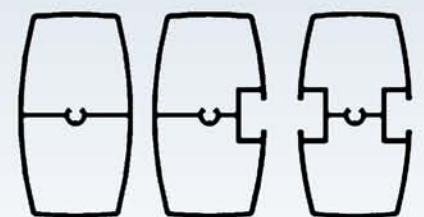
- Architecturally designed profiles & components that can be colour coordinated to the existing house/building

- High quality construction & robust components guarantee long lifespan and ease of operation

Guarantee on structure, fabrics and motors.



Profiles for the structure



STRUCTURAL PROFILE

PROFILE WITH SPACE FOR ADJUSTMENTS

PROFILE WITH DOUBLE SPACE FOR ADJUSTMENTS

Specifications

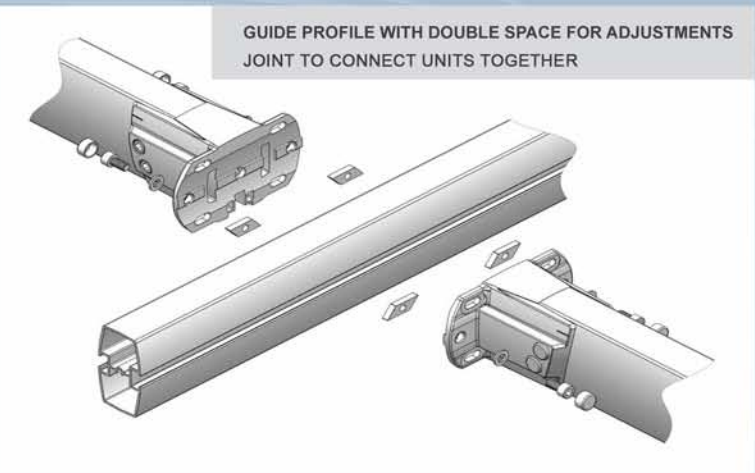
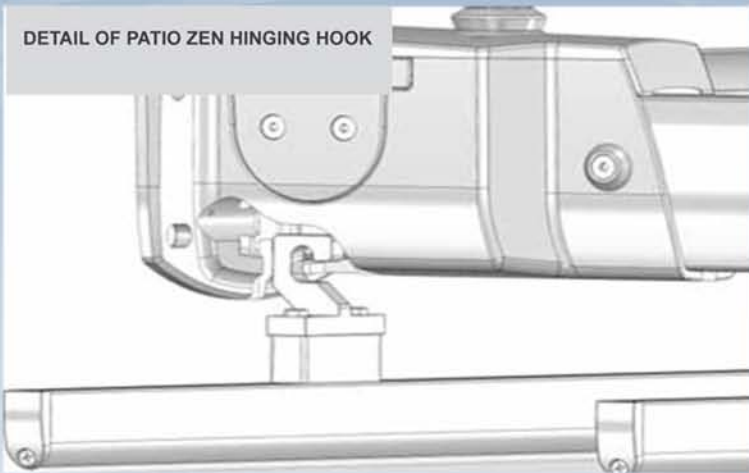
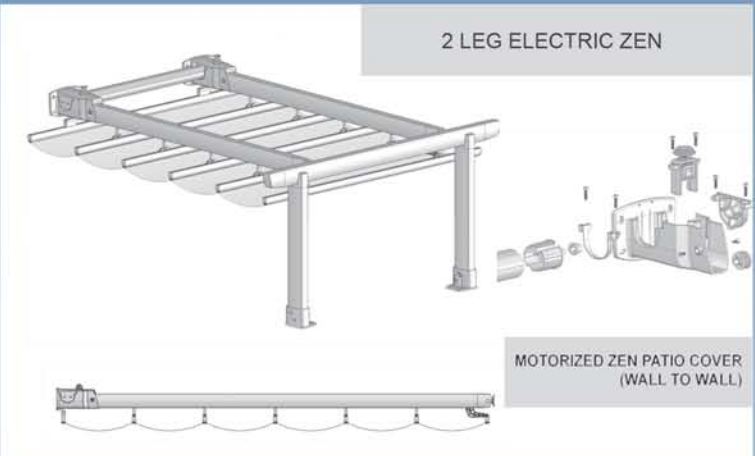
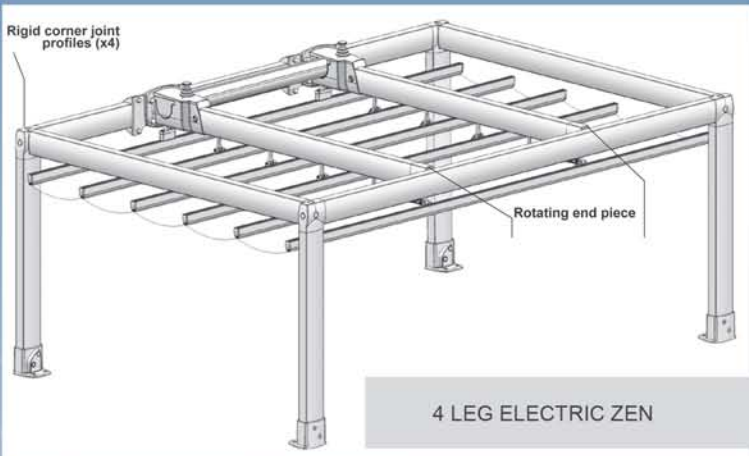
- Height (up to 7m)
- Operated via tubular motor system or manual pulley system
- Dulux Powdercoat colours available
- Waterproof acrylic canvas
- Waterproof Ferrari material
- PVC shade cloth material
- Max single unit size 6m x 6m (multiple units can be attached to create a larger covering)

No council permit required* (check with local council)

The Zen Patios design was thought through with the essence of new trends and European Design, is clearly influenced by clear lines and open tidy spaces.

The goal was to create a well balanced covered area, in harmony with the environment.

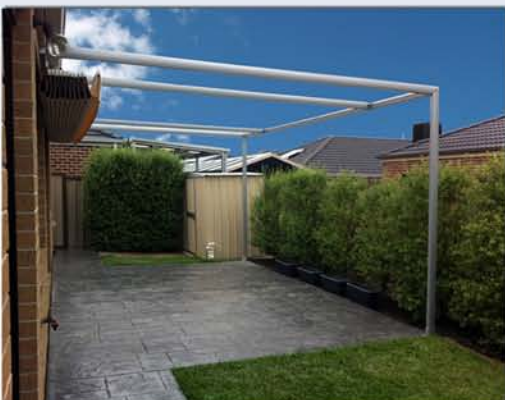
By combining a sophisticated and innovative design, the system is a powerful decorative feature. also easy to assemble.



[Closed 2 leg wall mount Zen](#)

[Open 2 Leg wall mount Zen](#)

[Open 4 leg Zen](#)





For further details,
please contact head office or your local distributor.

Croci Australia Pty. Ltd.
ACN 059 529 887
ABN 61 059 529 887
88-90 Derby Street
Pascoe Vale 3044
Victoria Australia

Tel: (03) 9354 4777

Fax: (03) 9354 1944

Email: sales@croci.com.au

Web: www.croci.com.au

